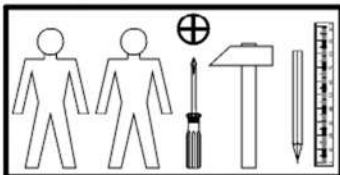
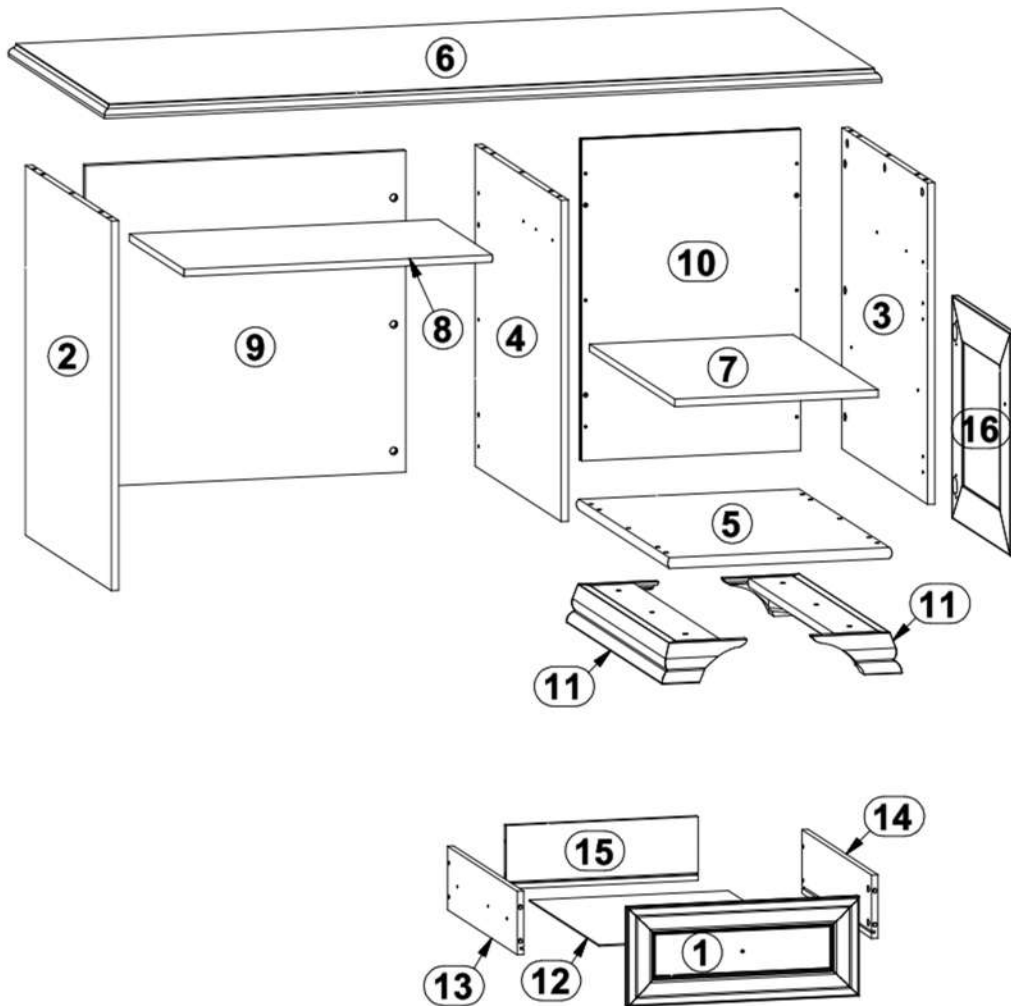
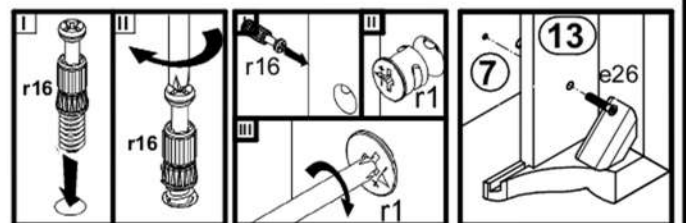
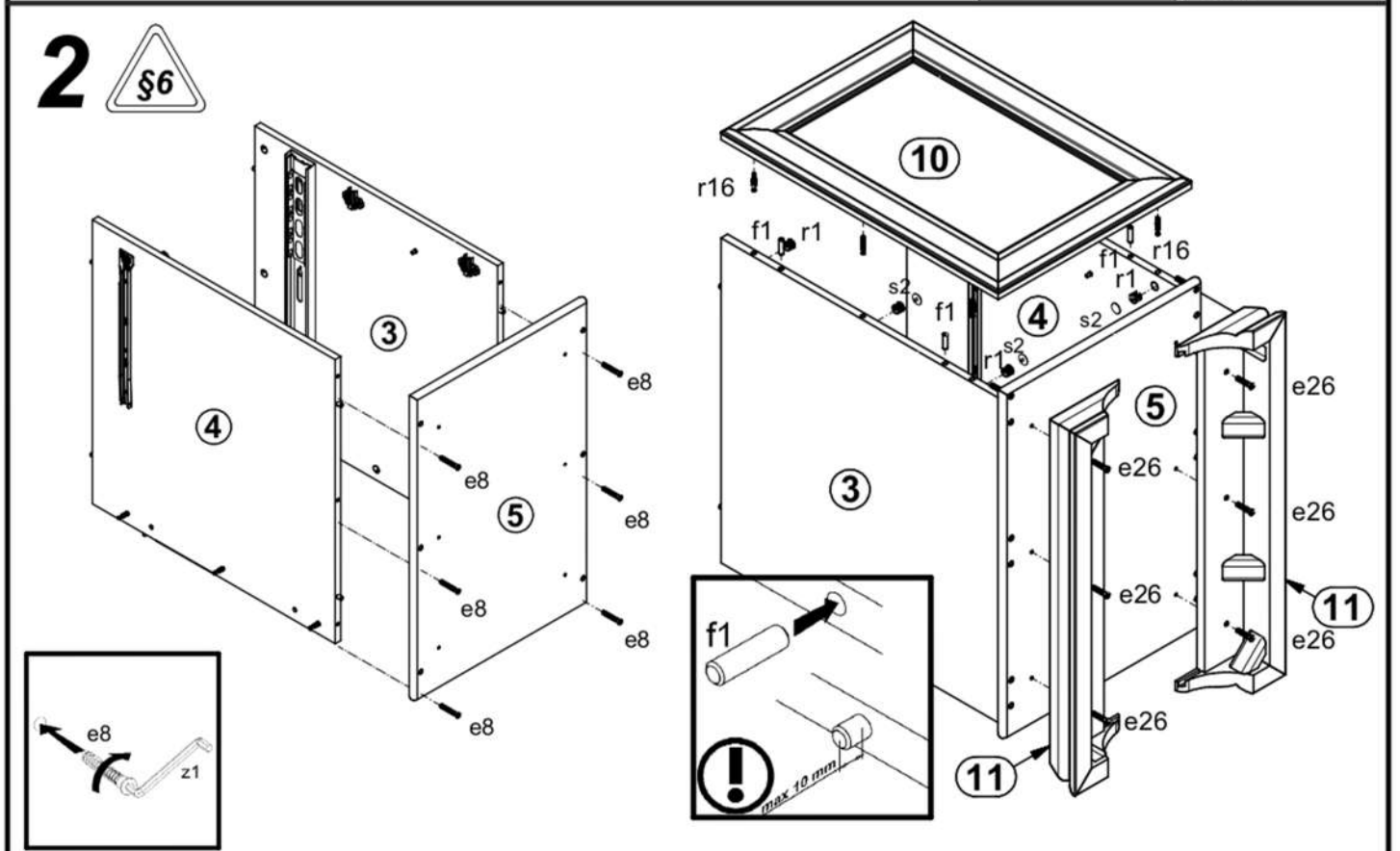
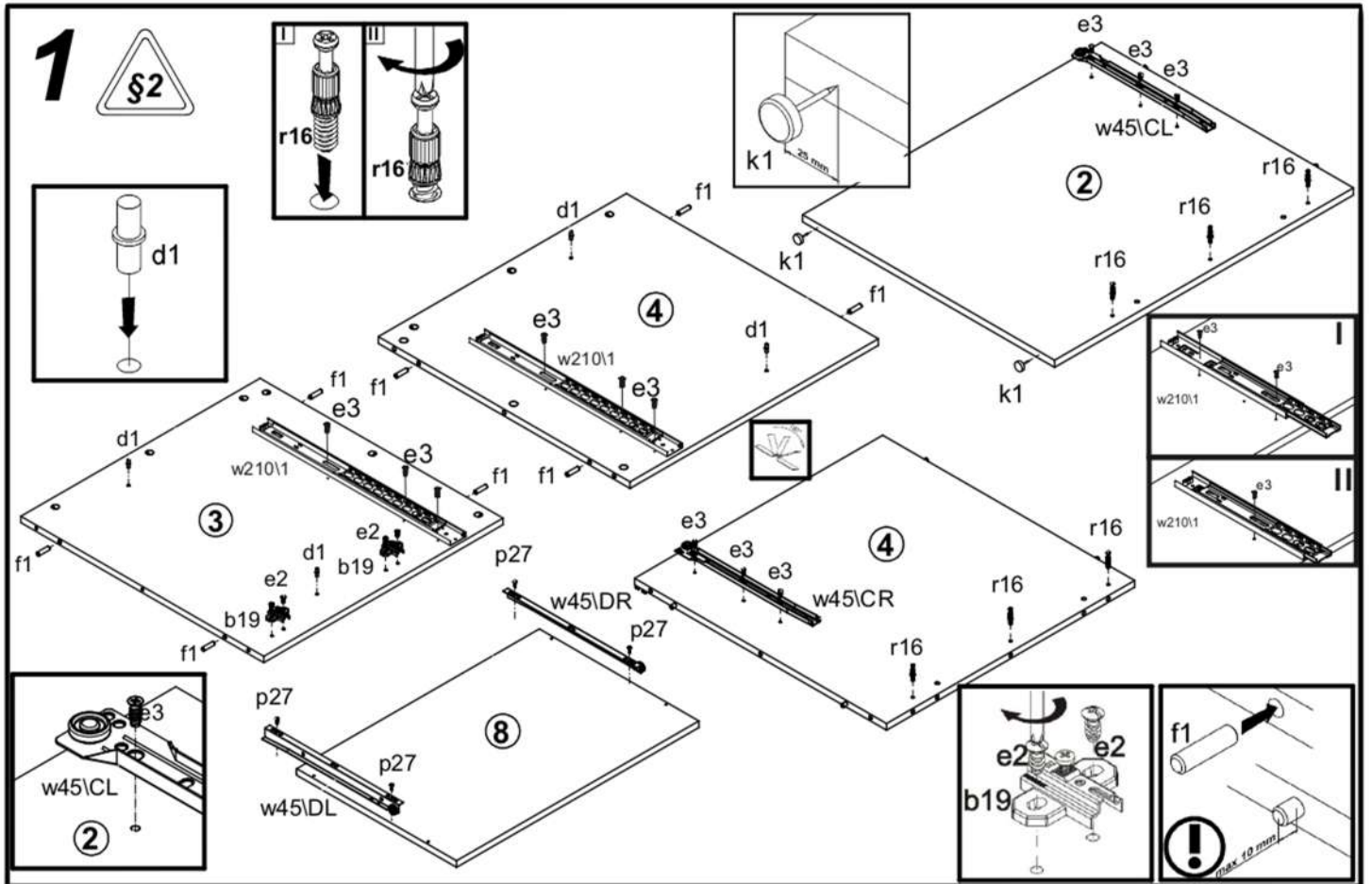


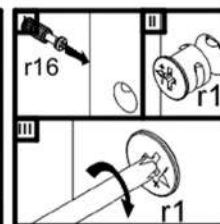
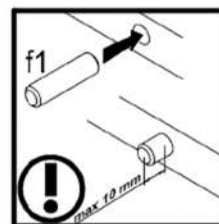
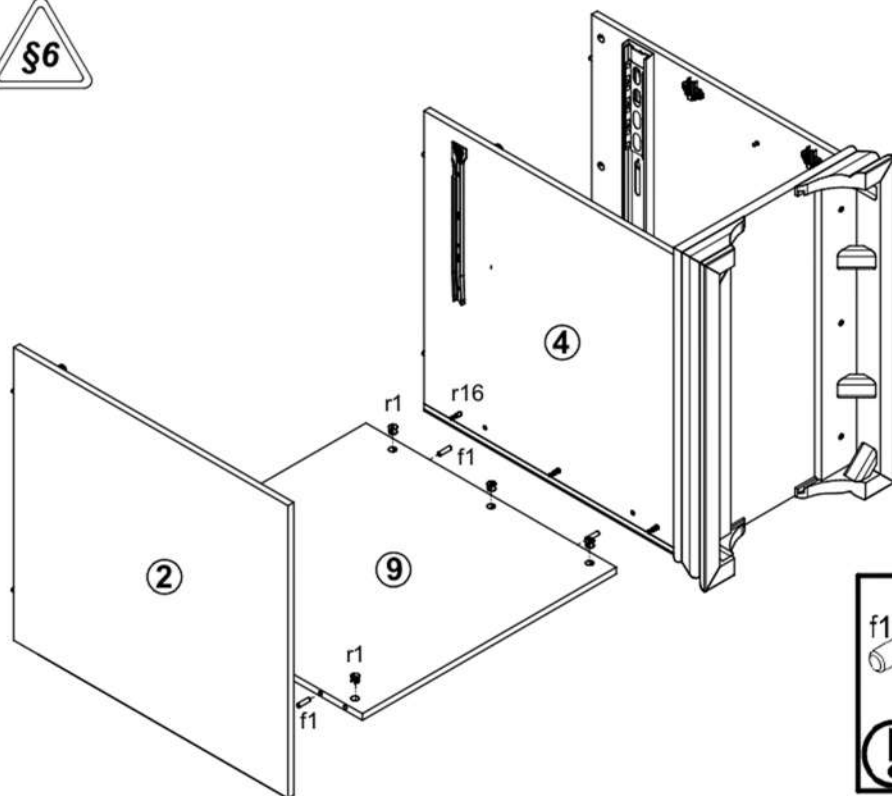
A	B	C	D	A	B	C	D		
1	S320-0011N	446	188	5/5	10	S320-4405	650	452	5/5
2	S320-191N	747	660	1/5	11	S320-515	736	180	4/6
3	S320-112N	650	660	1/5	12	S320-909N	377	498	3/5
4	S320-116N	650	660	1/5	13	S320-565N	500	120	3/5
5	S320-211	464	704	3/5	14	S320-566N	500	120	3/5
6	S320-2290N	1164	738	2/5	15	S320-5548N	362	120	3/5
7	S320-310	419	656	3/5	16	S320-0030	450	446	5/5
8	S320-311	631	420	3/5					
9	S320-786	656	600	1/5					



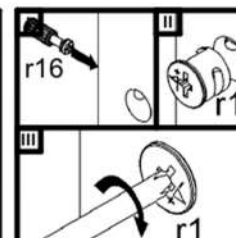
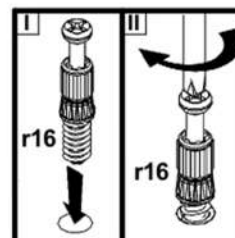
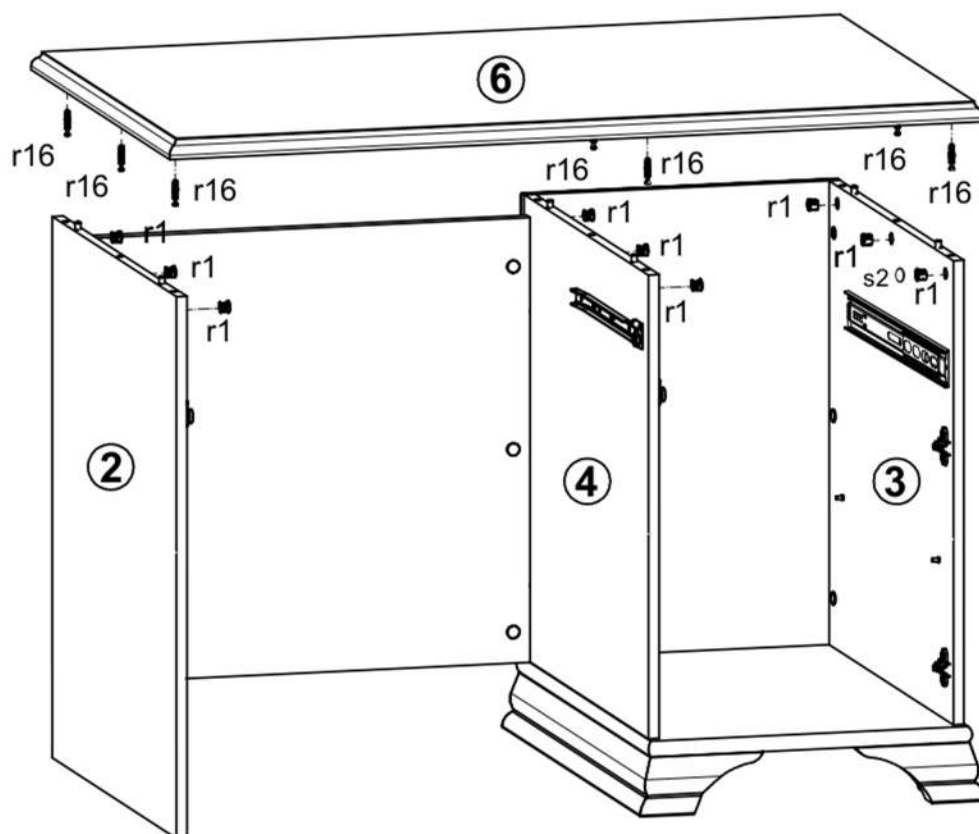
2x a44	2x b19	2x c35/1	2x c35/2	4x d1 φ5x17 mm	6x e8 φ7x50 mm	12x e3 φ6x13 mm	22x f1 φ8x30 mm	6x e26 φ7x35 mm
4x f25 φ6.5x40 mm	8x p140 φ3.5x12 mm	4x e2 φ6.5x13 mm	4x p27 φ5.5x13 mm	27x r16 ø16	25x s2 ø16	1x j59 M4x18 mm	1x j6 M4x30 mm	1x z1
2x w210/1 500 mm	2x w210/2 500 mm	1x w45/CL 350 mm	1x w45/CR 350 mm	1x w45/DL 350 mm	1x w45/DR 350 mm	4x p51 φ3.5x15 mm	27x r1 φ1.5x12mm ø16	2x k1



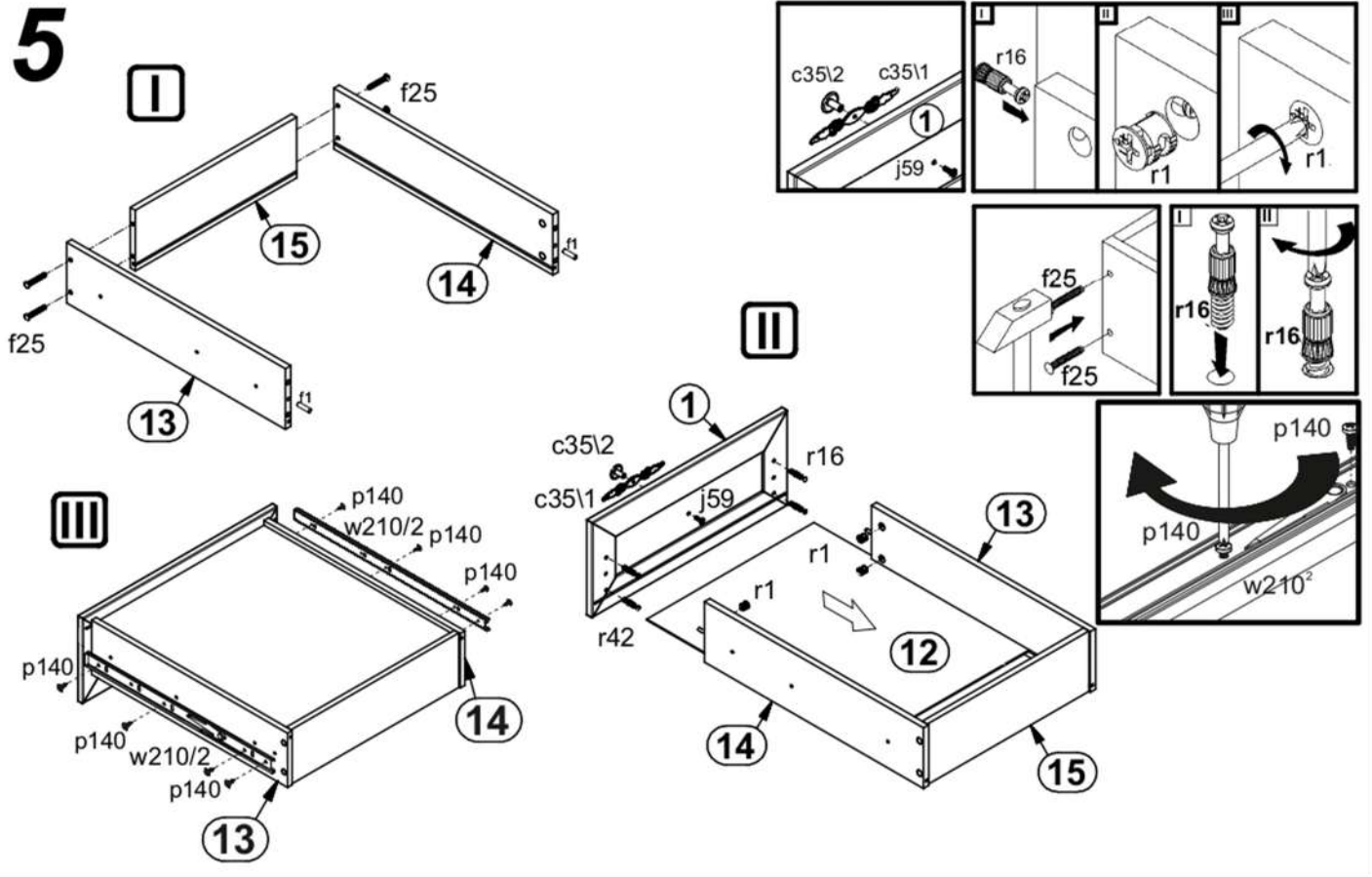
# 3



# 4



# 5



# 6

